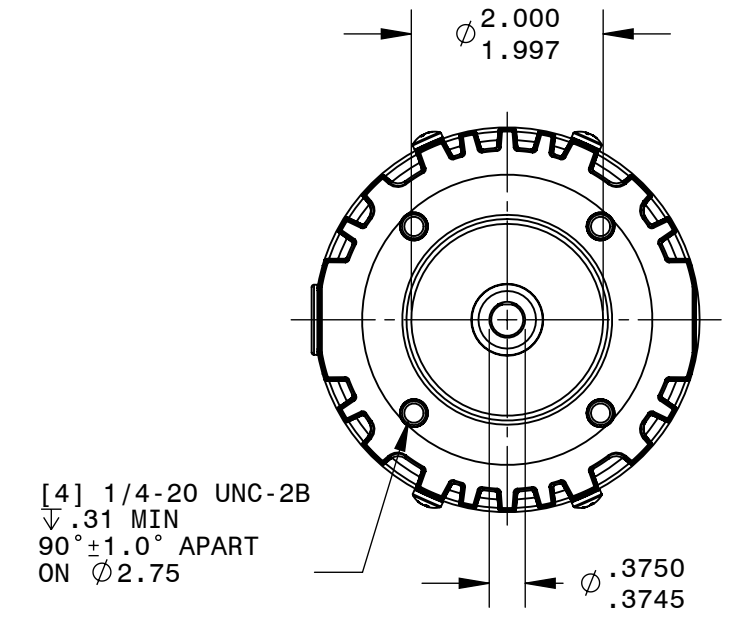
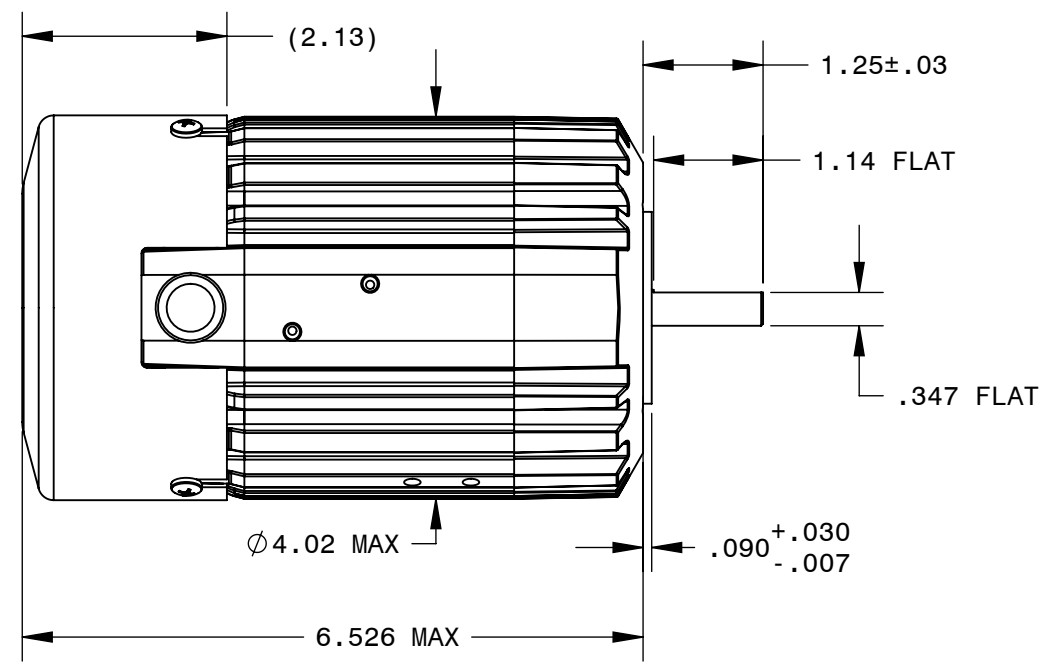
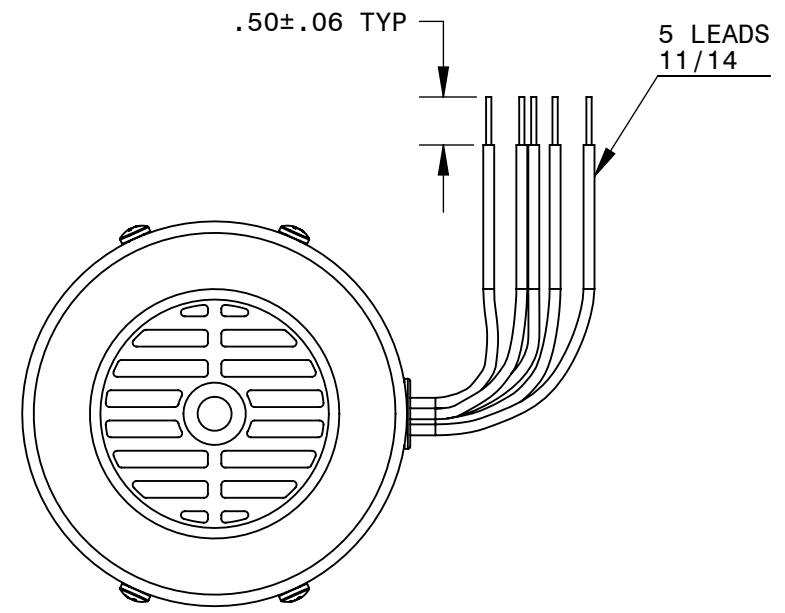


BODINE ELECTRIC COMPANY

PART NO./REV: INFM0263 A	
DESCRIPTION: MOTOR 34R6BF	
SHEET: 1/1	UNLESS OTHERWISE SPECIFIED:
SCALE: 1:2	UNITS ARE IN INCHES [mm]
<b>B</b>	TOLERANCES: .XX:±.01 .XXX:±.005 ANGLES: X°:±3° X.X°:±0.5°



REPRESENTATIVE OF MODEL NUMBER(S):  
0291 0293 0297

